

FOR MORE INFORMATION VISIT:

<http://www.electroflasher.com/connection.html>

(MODEL # FL1T)

The Electro Flasher Model/FL1T comes with (1) Adjusting Trimmer. This trimmer allows you to adjust how Long you want the unit to Flash before going steady on. (NOTE) ... The flashing length will vary depending on the voltage and amperage being supplied. Use Caution when adjusting! DON'T turn the trimmer beyond its "Left and Right" limits or you may strip it. Doing so will "VOID" all "WARRANTIES" if broken.

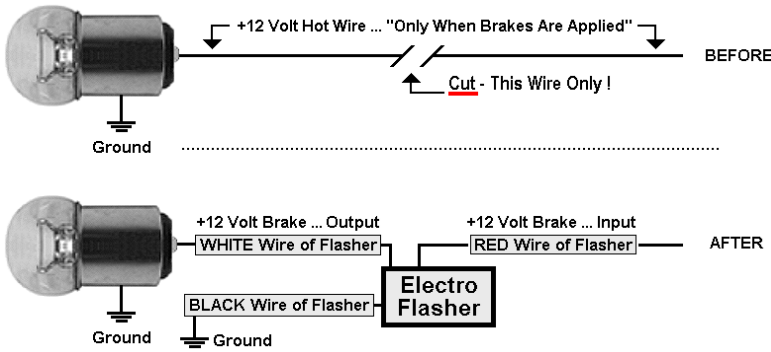
"Trimmer Adjustments"

Left = "DECREASES" flash Length. / **Right** = "INCREASES" flash Length.

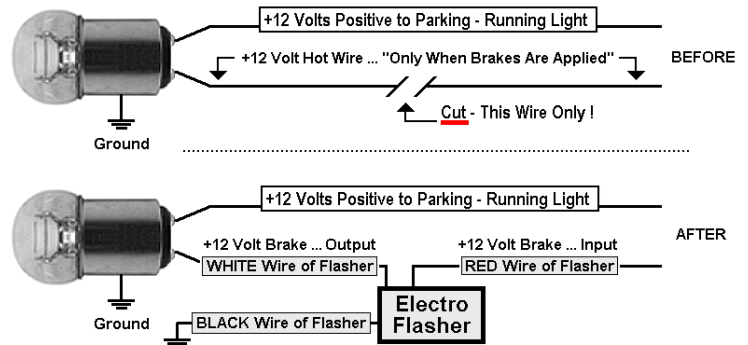
[NOTE] After installing you may need to hold the Brake Pedal down several times so the processor will reset & start flashing.

MOTORCYCLE and OTHER WIRING

Cut the **HOT Wire** (This is only HOT when the brakes are applied) leading to the 3rd brake light bulb only & install the Flasher **IN-LINE** as Shown!



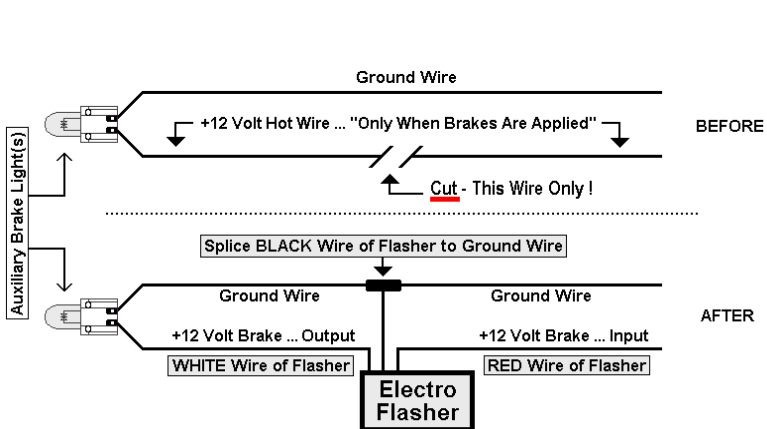
1 Filament Type Bulb Connection



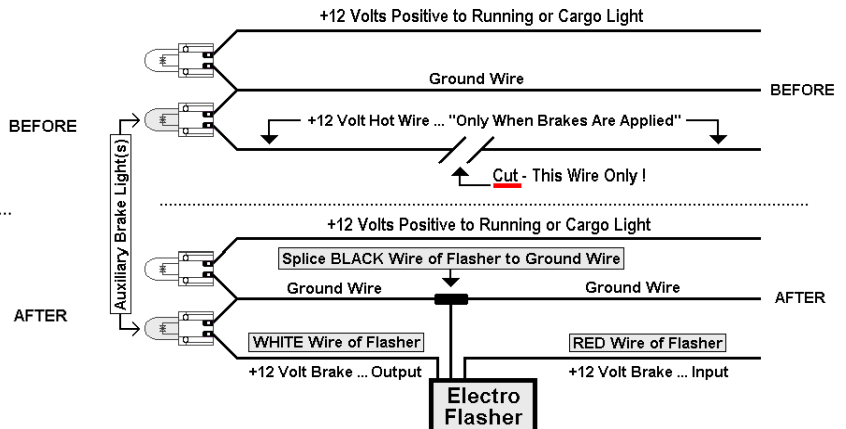
2 Filament Bulb Type Connection

3rd BRAKE LIGHT WIRING

Cut the **HOT Wire** (This is only HOT when the brakes are applied) leading to the 3rd brake light bulb only & install the Flasher **IN-LINE** as Shown!



2 Wire Connection



Dual Bulb 3 Wire Type Connection