

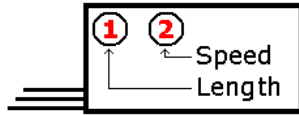
FOR MORE INFORMATION VISIT:

<http://www.electroflasher.com/connection.html>

(MODEL # FL2T)

The Electro Flasher Model/FL2T comes with (2) Adjusting Trimmers. One for the "Flashing Length" and One for the "Flashing Speed". By adjusting these trimmers you can adjust how Long you want the unit to Flash and at what Speed. (NOTE) ... The flashing length will vary depending on the voltage and amperage being supplied. "Use Caution" when adjusting them, DON'T turn them beyond their "Left and Right" limits or you may brake them. Doing so will "VOID" all "WARRANTIES" if broken.

[NOTE] After installing you may need to hold the Brake Pedal down several times so the processor will reset & start flashing.

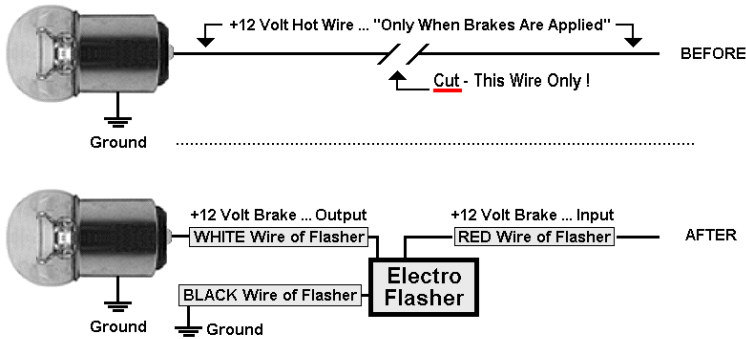


Trimmers Adjustment:

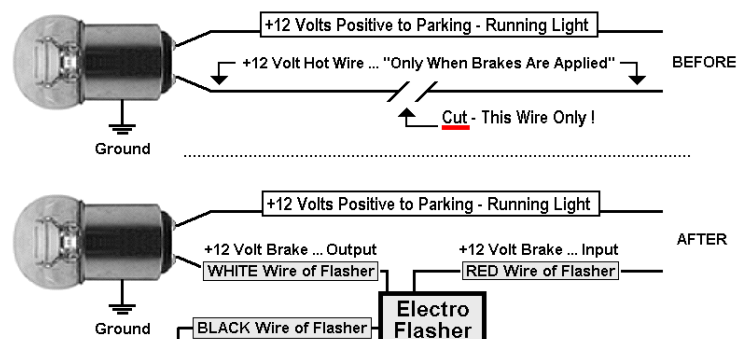
- #1 .. "Adjusts the Flash Length".
- #2 .. "Adjusts the Flash Speed".

MOTORCYCLE and OTHER WIRING

Cut the **HOT Wire** (This is only HOT when the brakes are applied) leading to the 3rd brake light bulb only & install the Flasher **IN-LINE** as Shown!



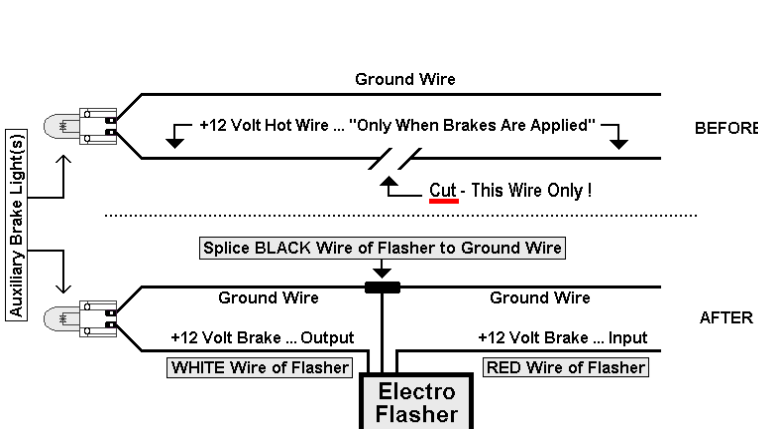
1 Filament Type Bulb Connection



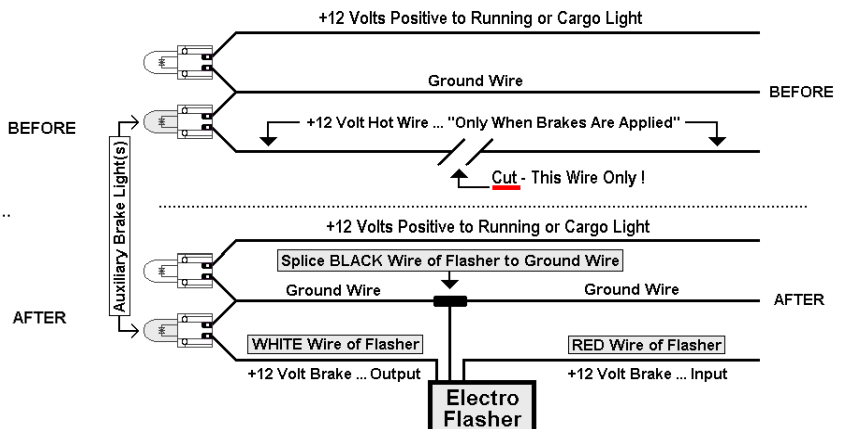
2 Filament Bulb Type Connection

3rd BRAKE LIGHT WIRING

Cut the **HOT Wire** (This is only HOT when the brakes are applied) leading to the 3rd brake light bulb only & install the Flasher **IN-LINE** as Shown!



2 Wire Connection



Dual Bulb 3 Wire Type Connection