

FOR MORE INFORMATION VISIT:

<http://www.electroflasher.com/connection.html>

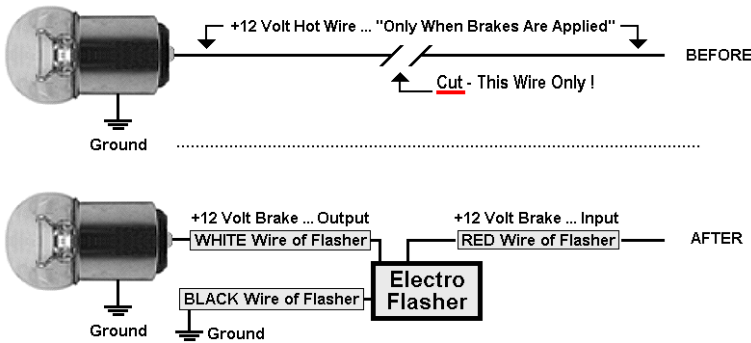
(MODEL # FLJ)

The Electro Flasher Model/FLJ comes with No Adjusting Trimmers. When connected the Flasher should flash from 4 to 6 Flashes before staying steady on. If more flashes are needed "SNIP" the Gray Jumper Wire to increase the number of Flashes from 8 to 12 (more or less) before going steady on. ... The flashing length will vary depending on the voltage and amperage being supplied.

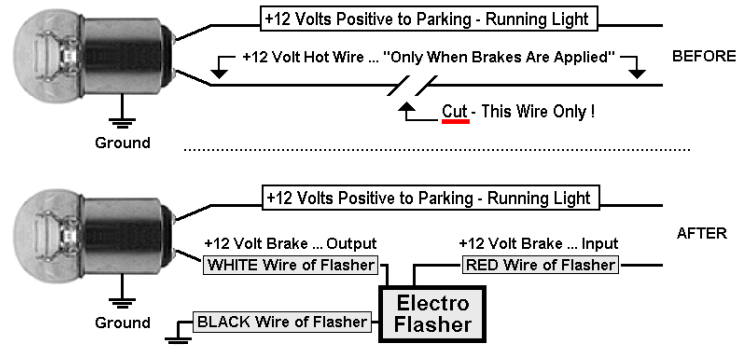
[NOTE] After installing you may need to hold the Brake Pedal down several times so the processor will reset & start flashing.

MOTORCYCLE and OTHER WIRING

Cut the **HOT Wire** (This is only HOT when the brakes are applied) leading to the 3rd brake light bulb only & install the Flasher **IN-LINE** as Shown!



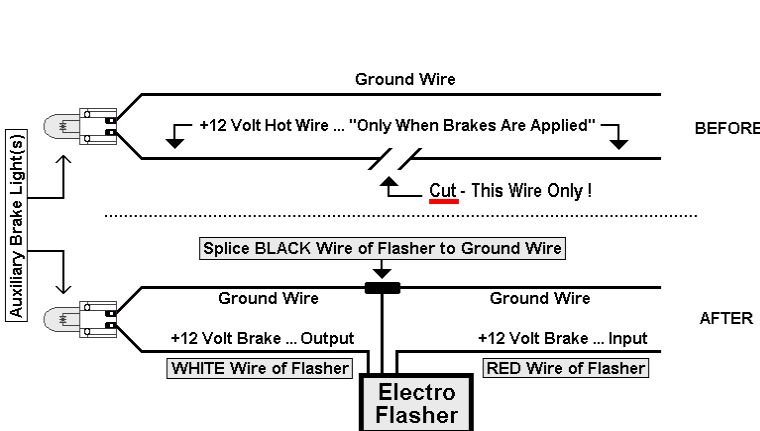
1 Filament Type Bulb Connection



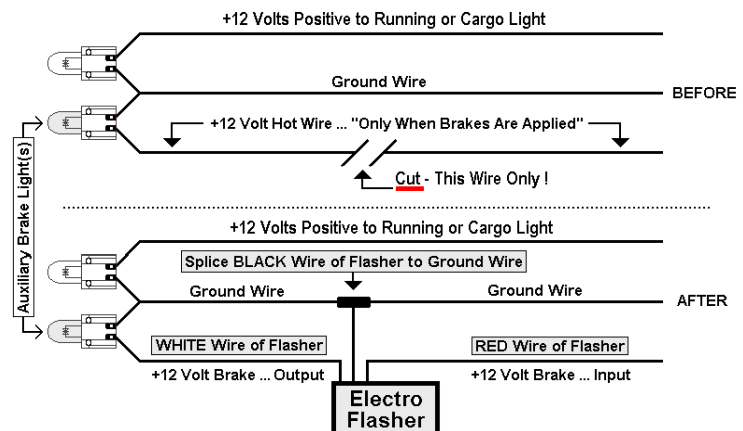
2 Filament Bulb Type Connection

3rd BRAKE LIGHT WIRING

Cut the **HOT Wire** (This is only HOT when the brakes are applied) leading to the 3rd brake light bulb only & install the Flasher **IN-LINE** as Shown!



2 Wire Connection



Dual Bulb 3 Wire Type Connection